

## SOLAR WATER HEATER USER MANNUAL



### WARNING !

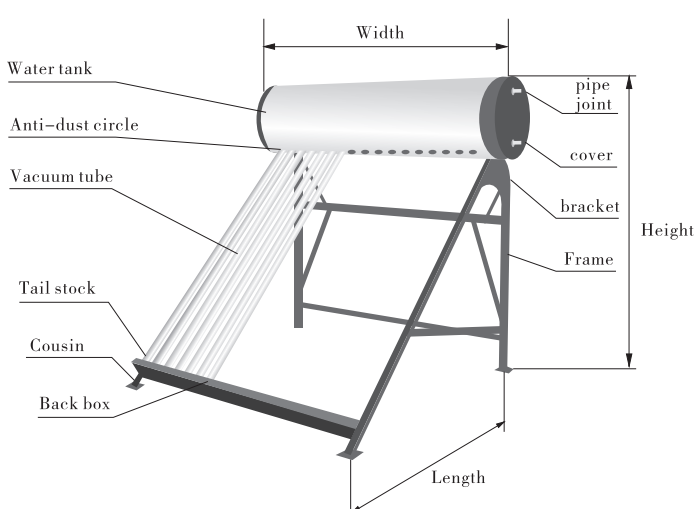
1. In case tank empty, always fill water in the morning or evening. Don't fill water in the noon, otherwise the tubes will break.
2. When use the electrical heater, please make sure the water in the water heater is full.
3. Tube getter should be mirrorlike, otherwise it means the tube is not in the cacuum condition. If it appears mist, please replace the tube.
4. Do keep the air vent hole open. Or the tank will become deformed and lead to water leakage.
5. Keep the tank filled with water while winding.
6. Fix the bracket/frame firmly to resist the strong wind and avoid accident.
7. Don't change the structure of solar water heater at random.

1

### I Packing list

Model	Water tank	Vacuum tube	Anti-dust circle	Frame
SL ECO 120 VN	1 pcs	12 pcs	12 pcs	1 set
SL ECO 150 VN	1 pcs	15 pcs	15 pcs	1 set
SL ECO 170 VN	1 pcs	17 pcs	17 pcs	1 set
SL ECO 200 VN	1 pcs	20 pcs	20 pcs	1 set
SL ECO 250 VN	1 pcs	25 pcs	25 pcs	1 set
SL ECO 300 VN	1 pcs	30 pcs	30 pcs	1 set

### II. Structure

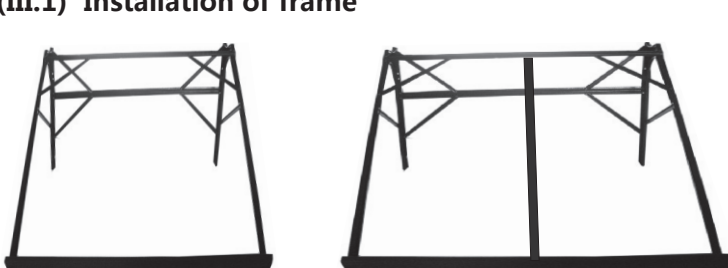


	SL ECO 120 VN	SL ECO 150 VN	SL ECO 170 VN	SL ECO 200 VN	SL ECO 250 VN	SL ECO 300 VN
Width (cm)						
Height (cm)						
Length (cm)						

2

### III. Installation

#### (III.1) Installation of frame



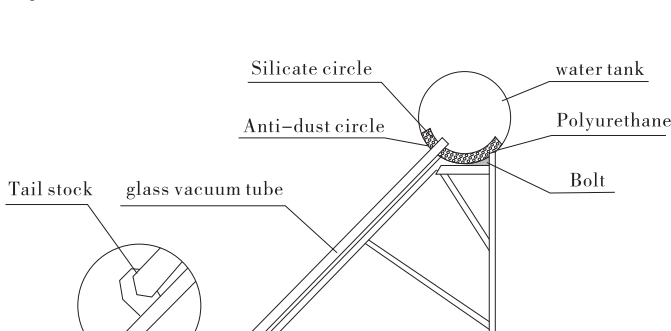
This type of bracket consists of the following parts:

Item	Bracket with 2 legs (pieces)	Bracket with 3 legs
Front leg	2	3
Back leg	2	3
Support of tank	2	3
Rail	2	2
Back bar bar	4	6
Slash	2	3
The shortest bar	2	3
Tube holder bar	1	1
Fitting	4	5
Screw	One bag	One bag

#### ATTENTION

- ① All screws and bolts must be firmly tightened;
- ② Make sure all parts are assembled, no one waste.

#### (III.2) Installation of water tank and vacuum tubes



3

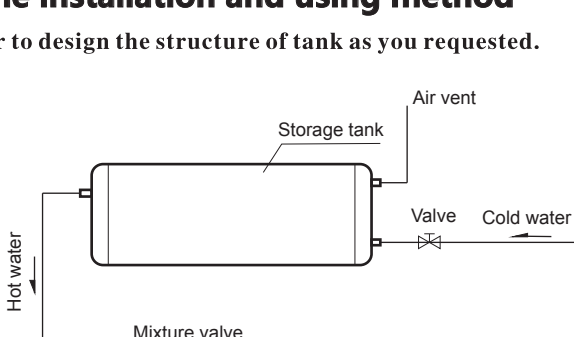
1. After installation of frame, install the water tank onto frame;
2. After installation of water tank, install vacuum tubes;
3. After installation of water heater, connect and fix the frame with building floor by bolts.

#### ATTENTION

- ① Make sure the fix of water heater onto building floor is firmly and reliably, to avoid any risk of falling down of water heater.
- ② The vacuum tube solar collector should face south or south west in the Northern Hemesphere, while face north or north east in the Southern Hemesphere.

### IV. Pipeline installation and using method

We offer to design the structure of tank as you requested.



1. Connect pipes as above suggested. Make sure no leakage in pipeline, joints, valves and so on.

#### ATTENTION

- ① Make sure the air vent always open to the atmosphere;
- ② If there is a water tank to supplier cold water to this water heater, make sure the valve in cold water pipe always open to maximum position.

4